

Modulus Twin Pole Double Span Table

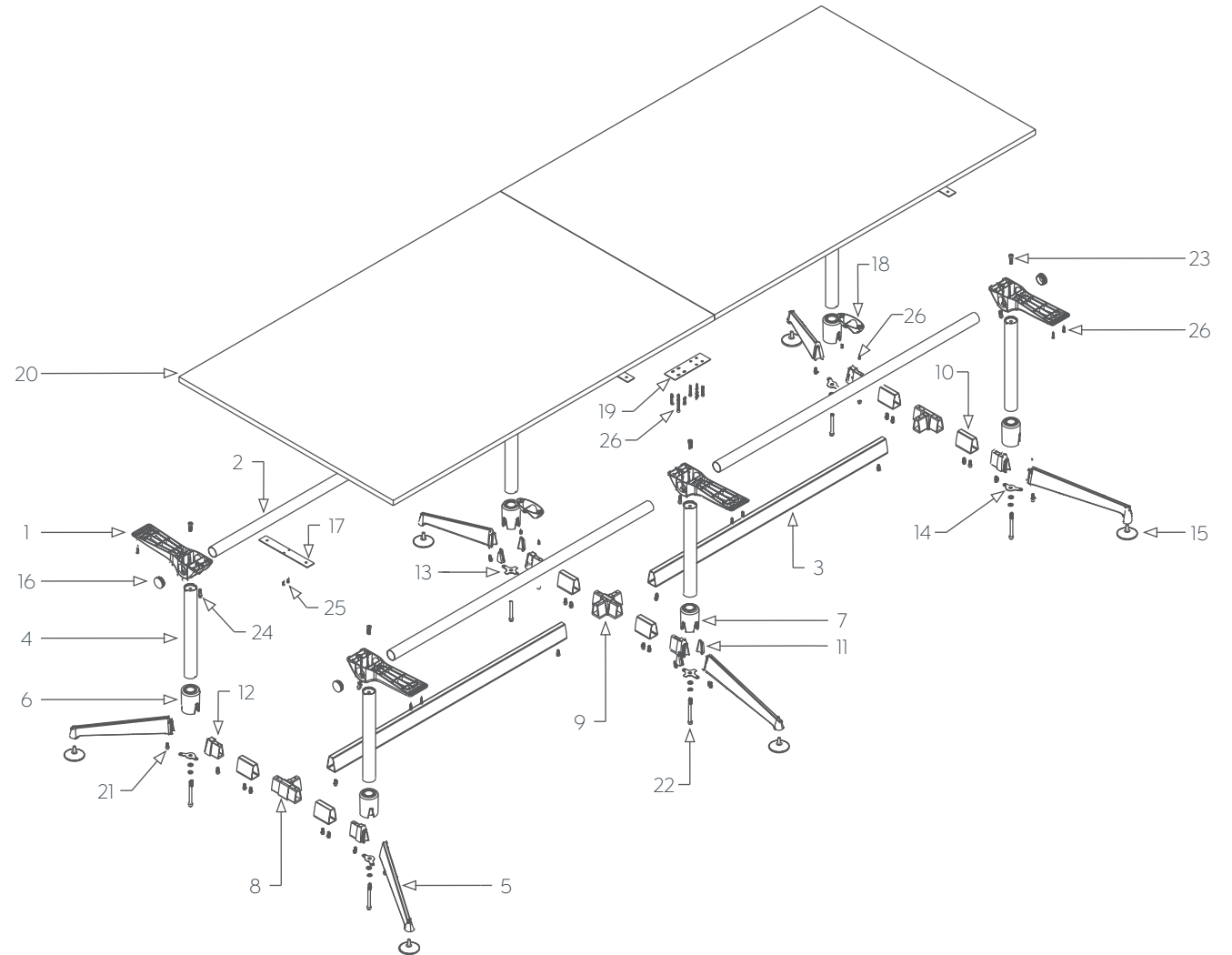
Assembly Instructions

Modulus Twin Pole Single Span Table

Components List

Components	QTY	Part No.
1 Die Cast Upper Wrist	x6	MODZA06
2 Top Rail	x4	FWTOPRAIL
3 Bottom Rail	x2	FWBOTRAIL
4 Leg-Pole Tube Ø51	x6	MODZA22-695
5 Large Foot	x6	MODZA12
6 150° Collar	x4	MODZA02
7 Cross Collar	x2	MODZA01
8 Bottom T-Connector	x2	MODZA07
9 Bottom Cross Connector	x1	MODZA08
10 T-Tube	x6	FW...SET
11 Collar Plug	x4	MODZA15
12 Collar Connector	x6	MODZA09
13 Minus Gasket	x2	MODZA27
14 150° Gasket	x4	MODZA28
15 Foot Glide	x6	MODZA25
16 Top Rail Cap	x4	MODZA18
17 Steel Wrist Wrap	x3	FW...SET
18 Plastic Support	x4	MODZA16
19 Table Top Bracket Plate	x2	(Not supplied if frame only)
20 Worktop	x2	
Screws		QTY
21 M8 x 16mm	x28	
22 M10 x 110mm	x6	
23 M8 x 30mm	x6	
24 M8 x 25mm	x6	
25 M5 x 30mm Self Tapping	x12	
26 M5 x 20mm Self Tapping (For Bracket Plate)	x20	

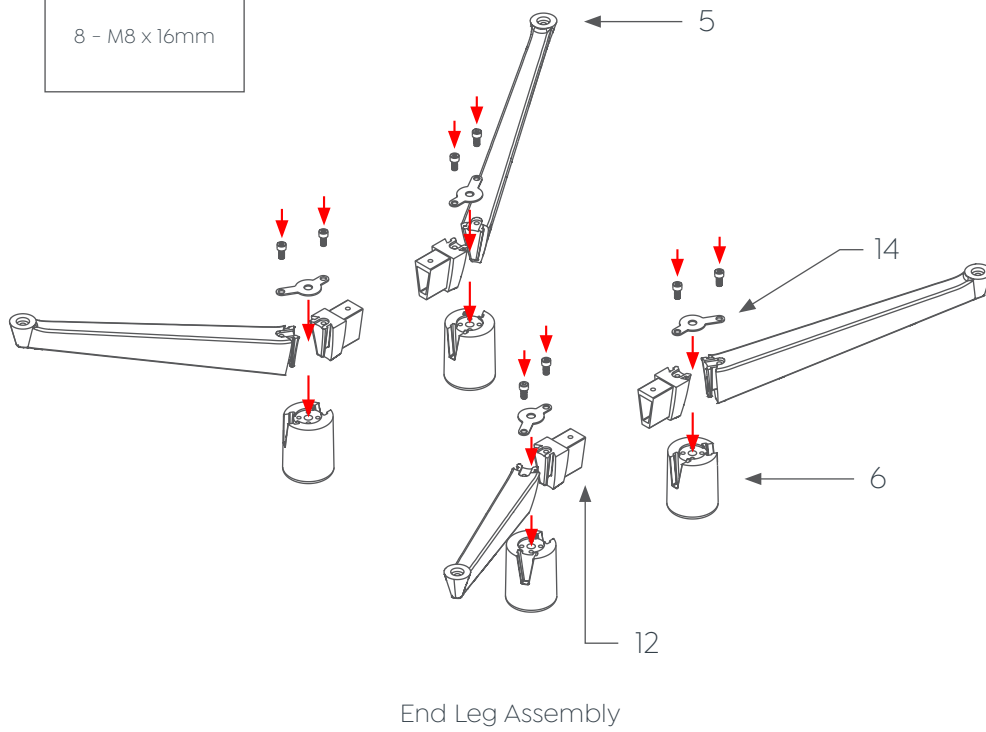
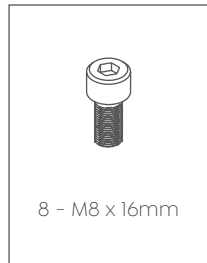
Tools Required: Powered Screwdriver



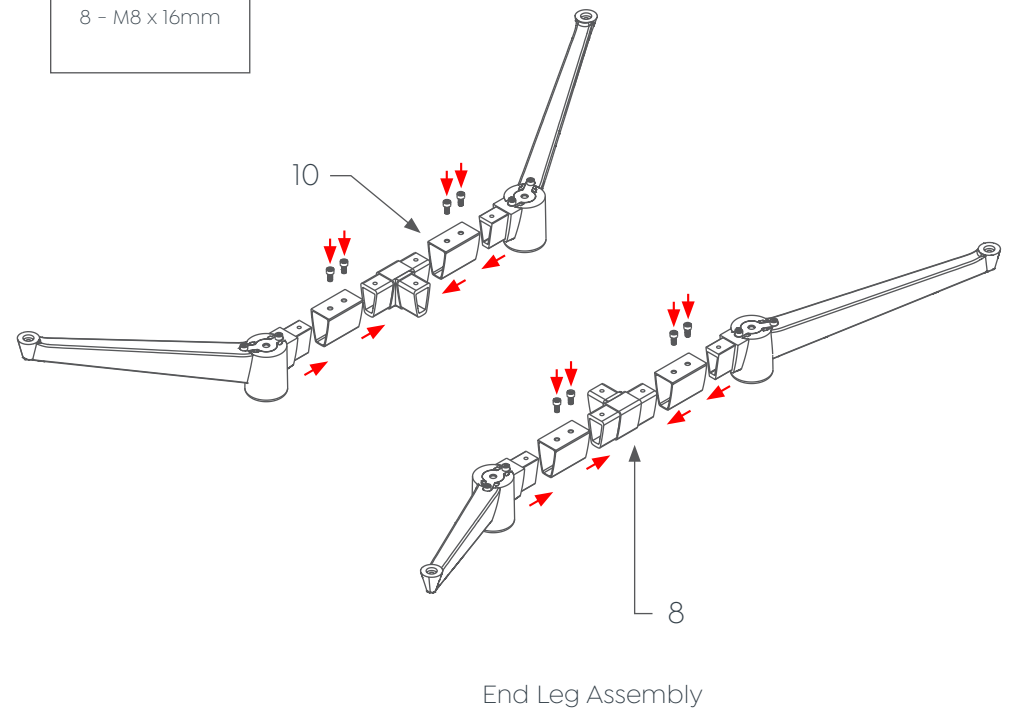
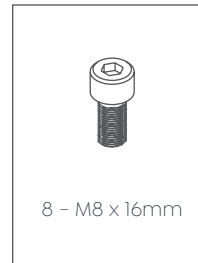
Modulus Twin Pole Single Span Table

Assembly Instructions

STEP 1:



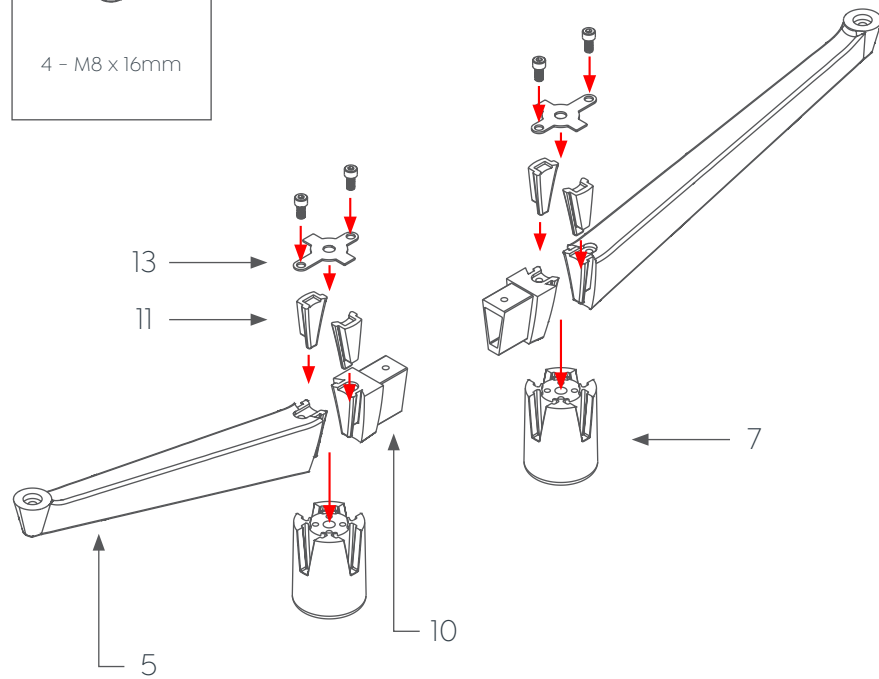
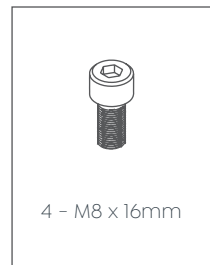
STEP 2:



Modulus Twin Pole Single Span Table

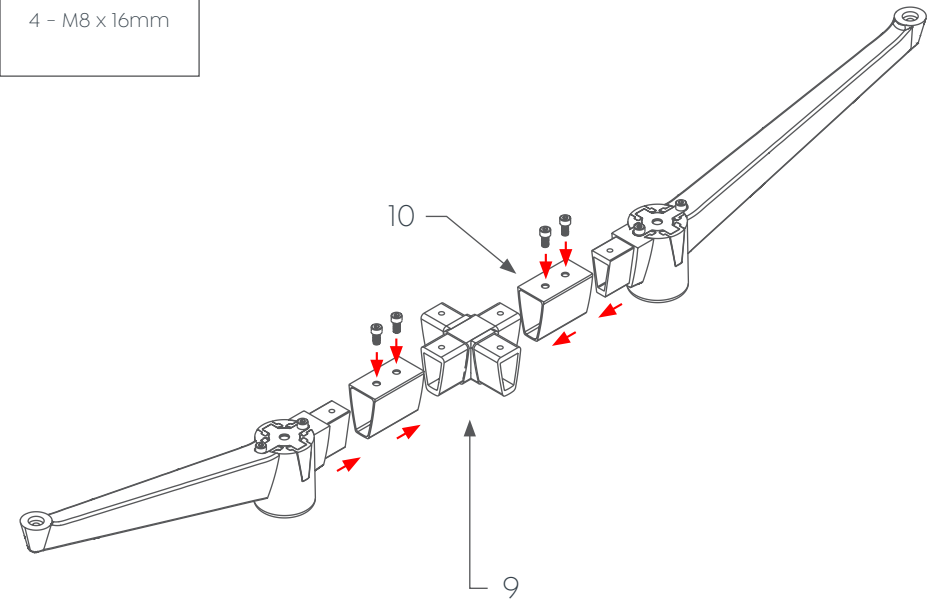
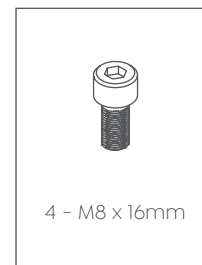
Assembly Instructions

STEP 3:



Mid Leg Assembly

STEP 4:

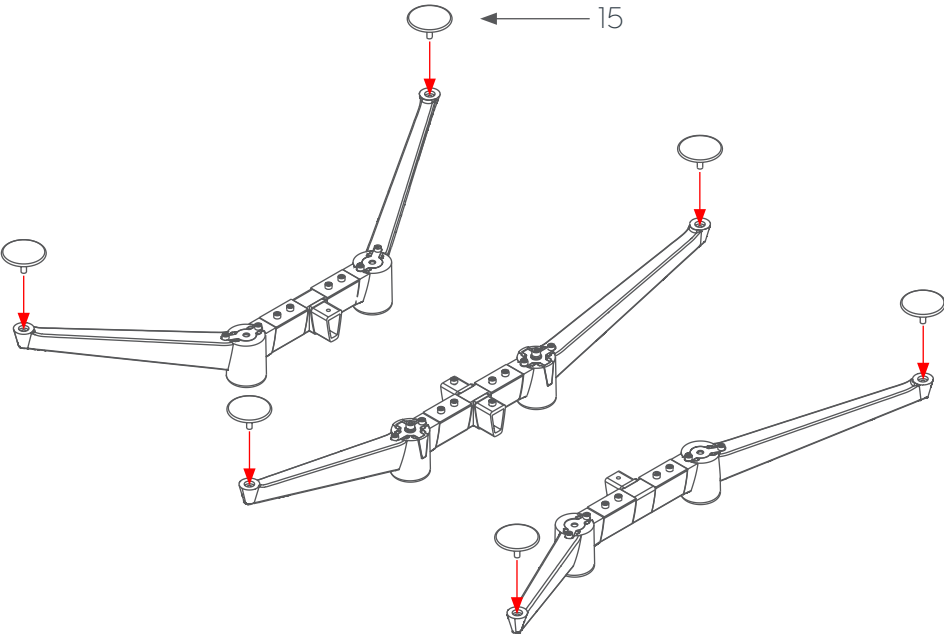


Mid Leg Assembly

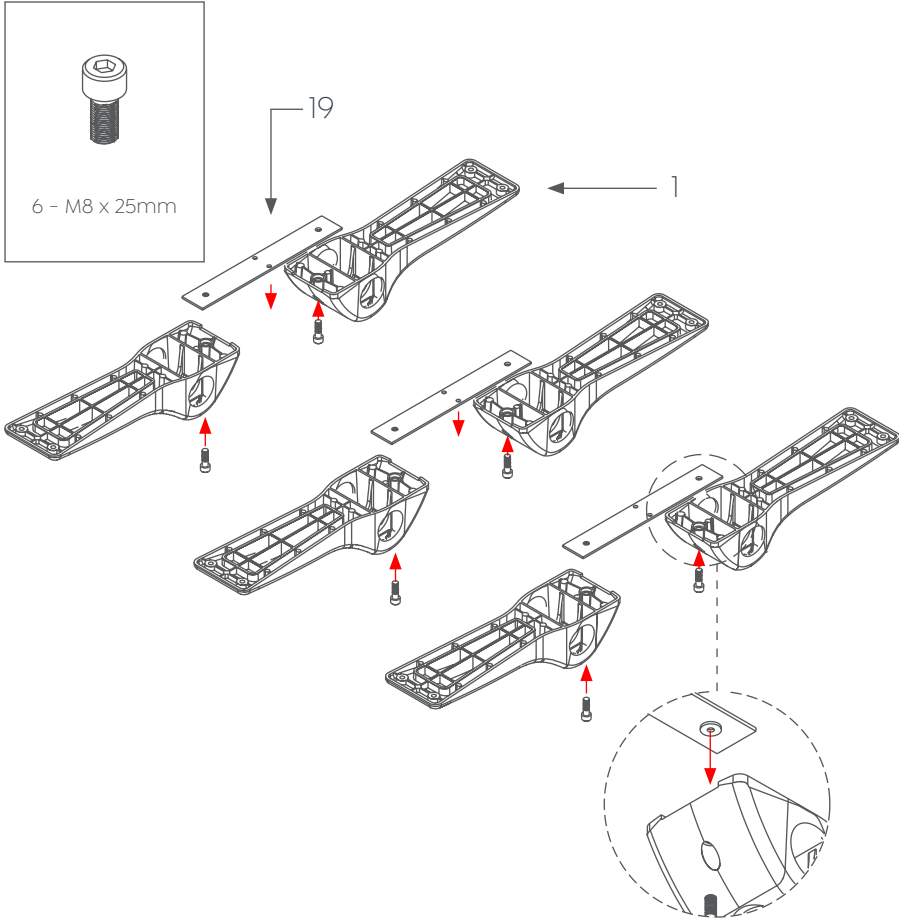
Modulus Twin Pole Single Span Table

Assembly Instructions

STEP 5:



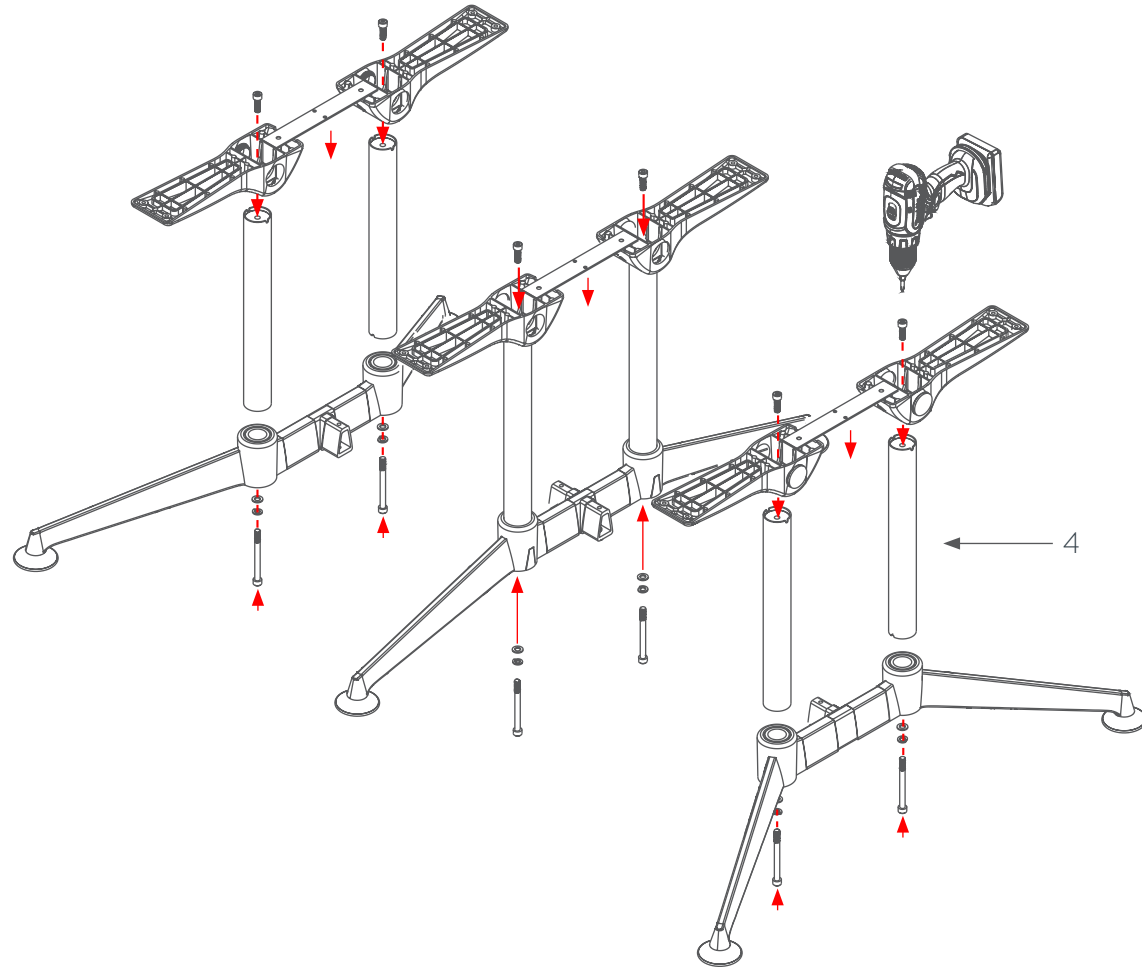
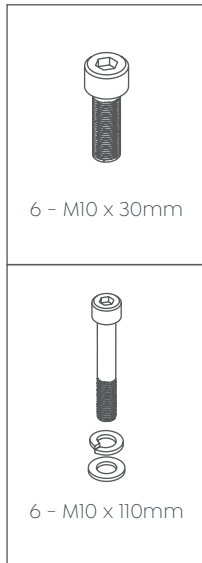
STEP 6:



Modulus Twin Pole Single Span Table

Assembly Instructions

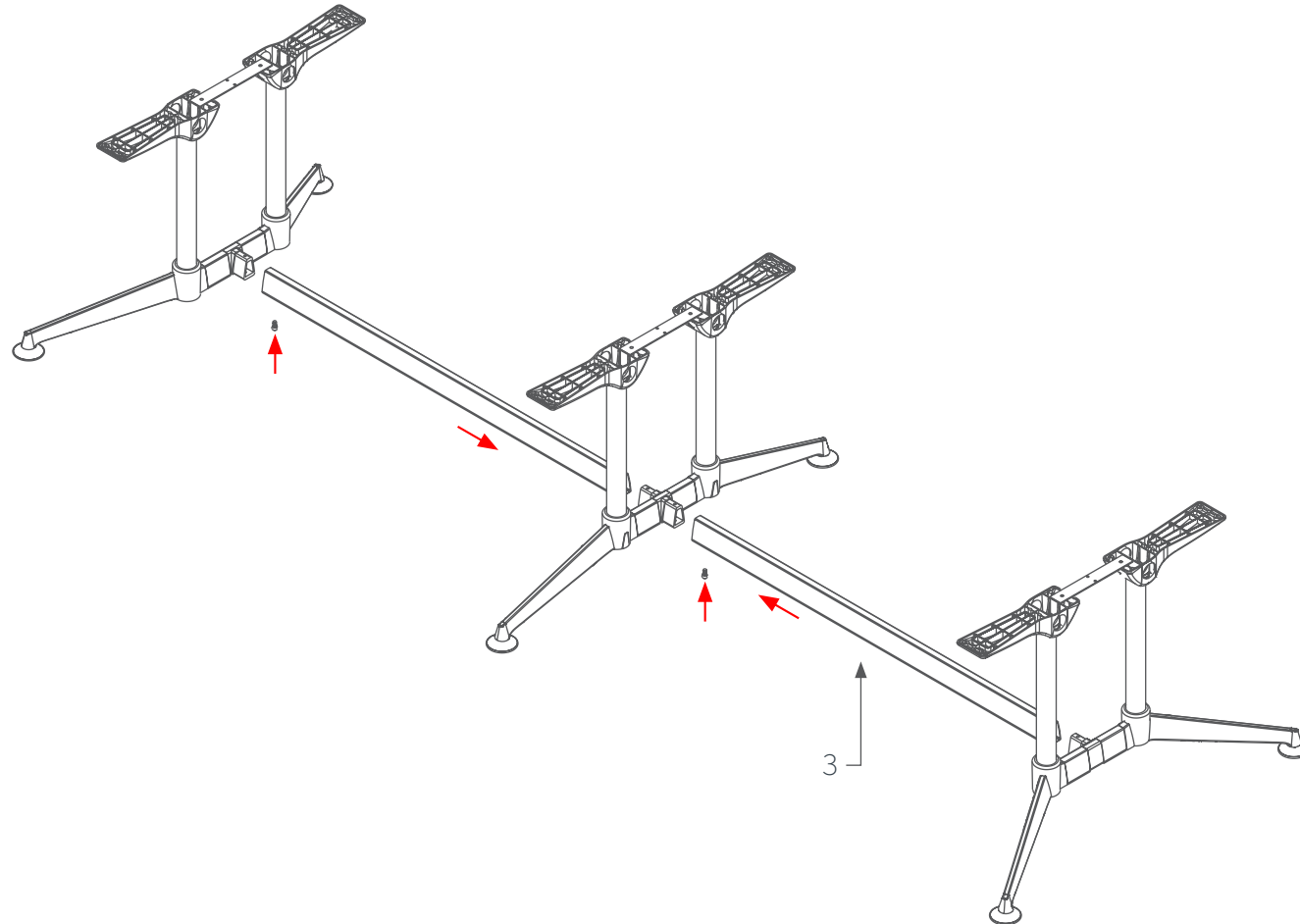
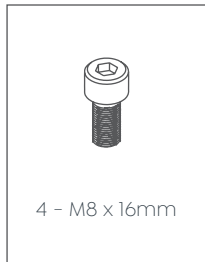
STEP 7:



Modulus Twin Pole Single Span Table

Assembly Instructions

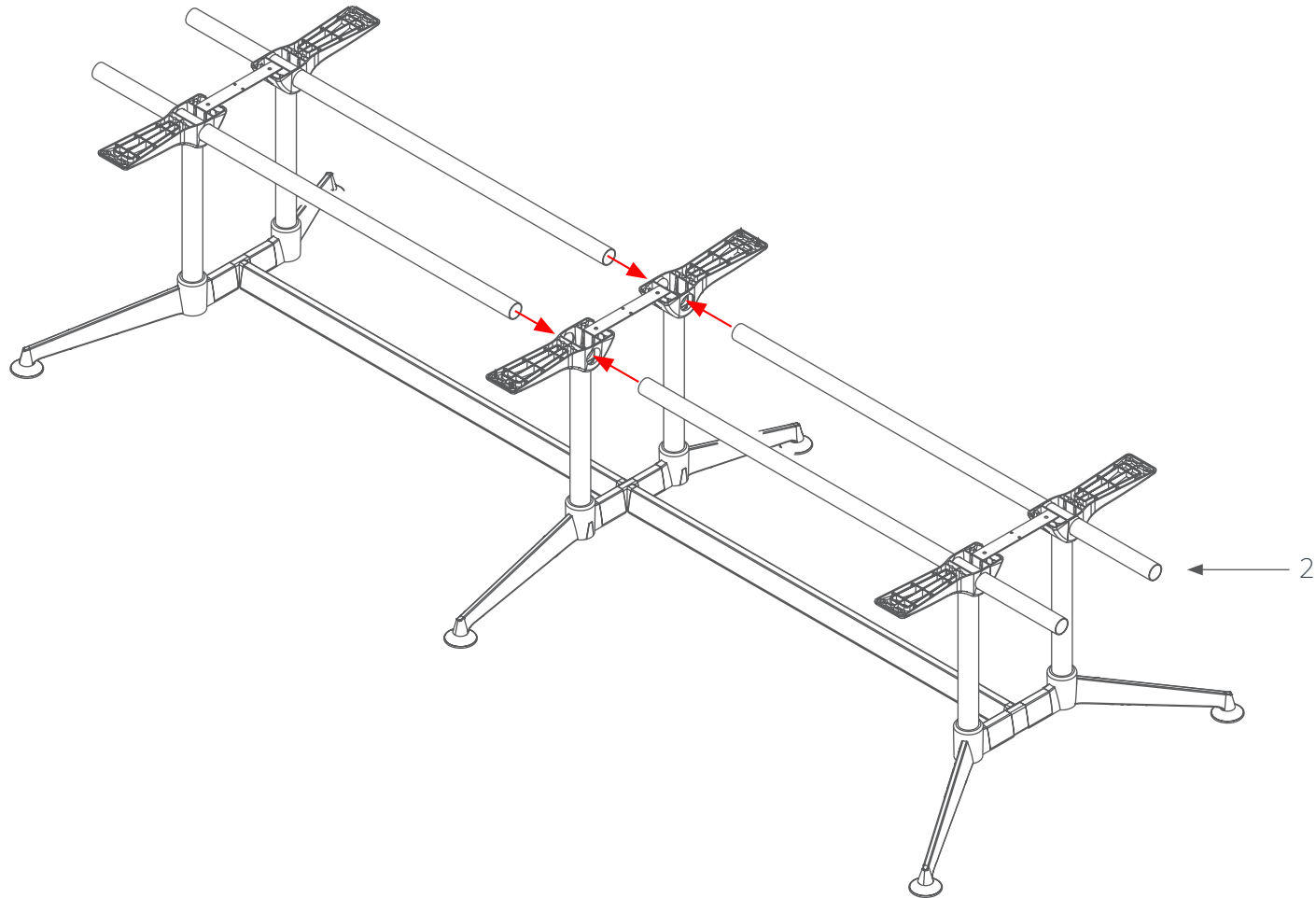
STEP 8:



Modulus Twin Pole Single Span Table

Assembly Instructions

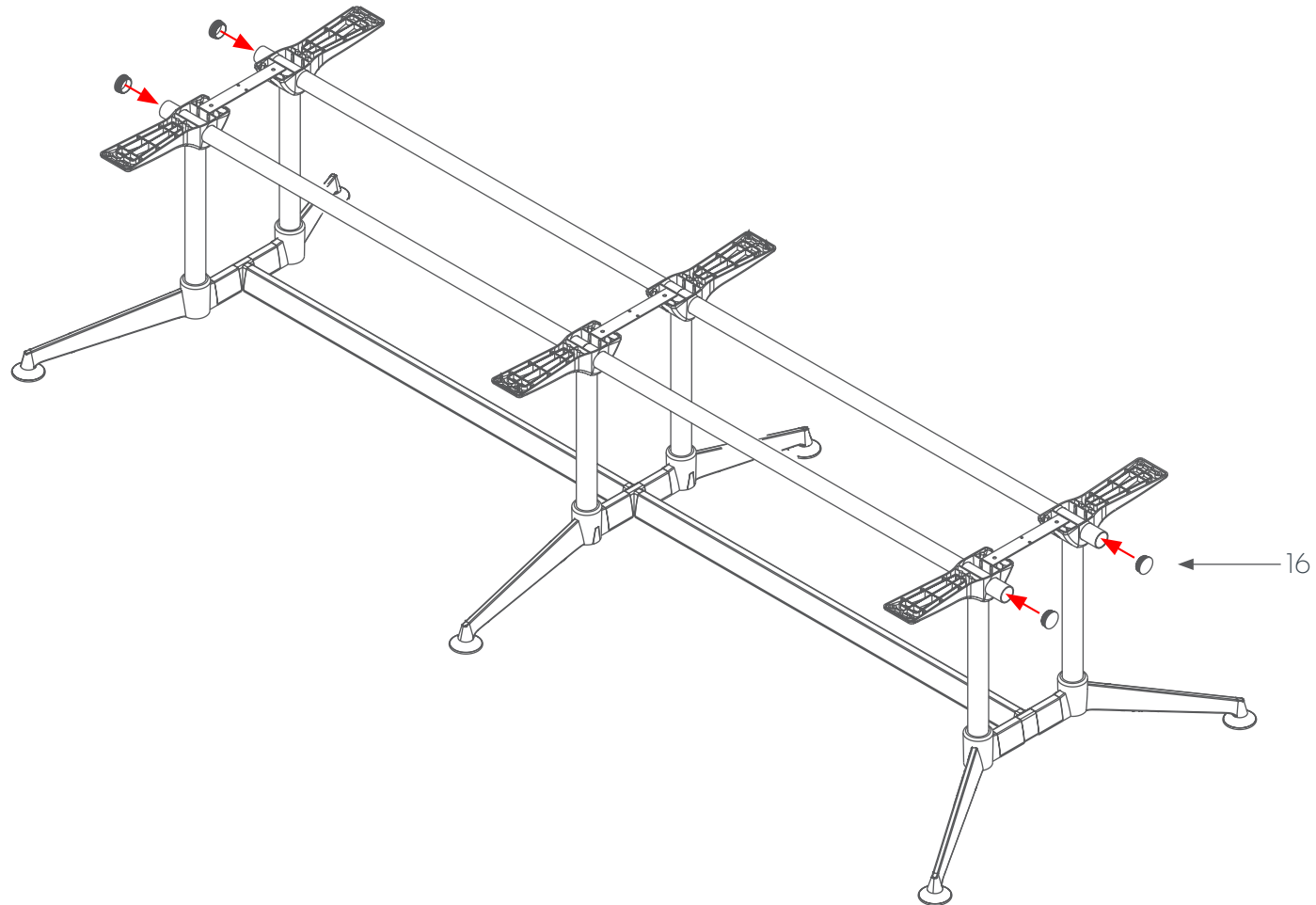
STEP 9:



Modulus Twin Pole Single Span Table

Assembly Instructions

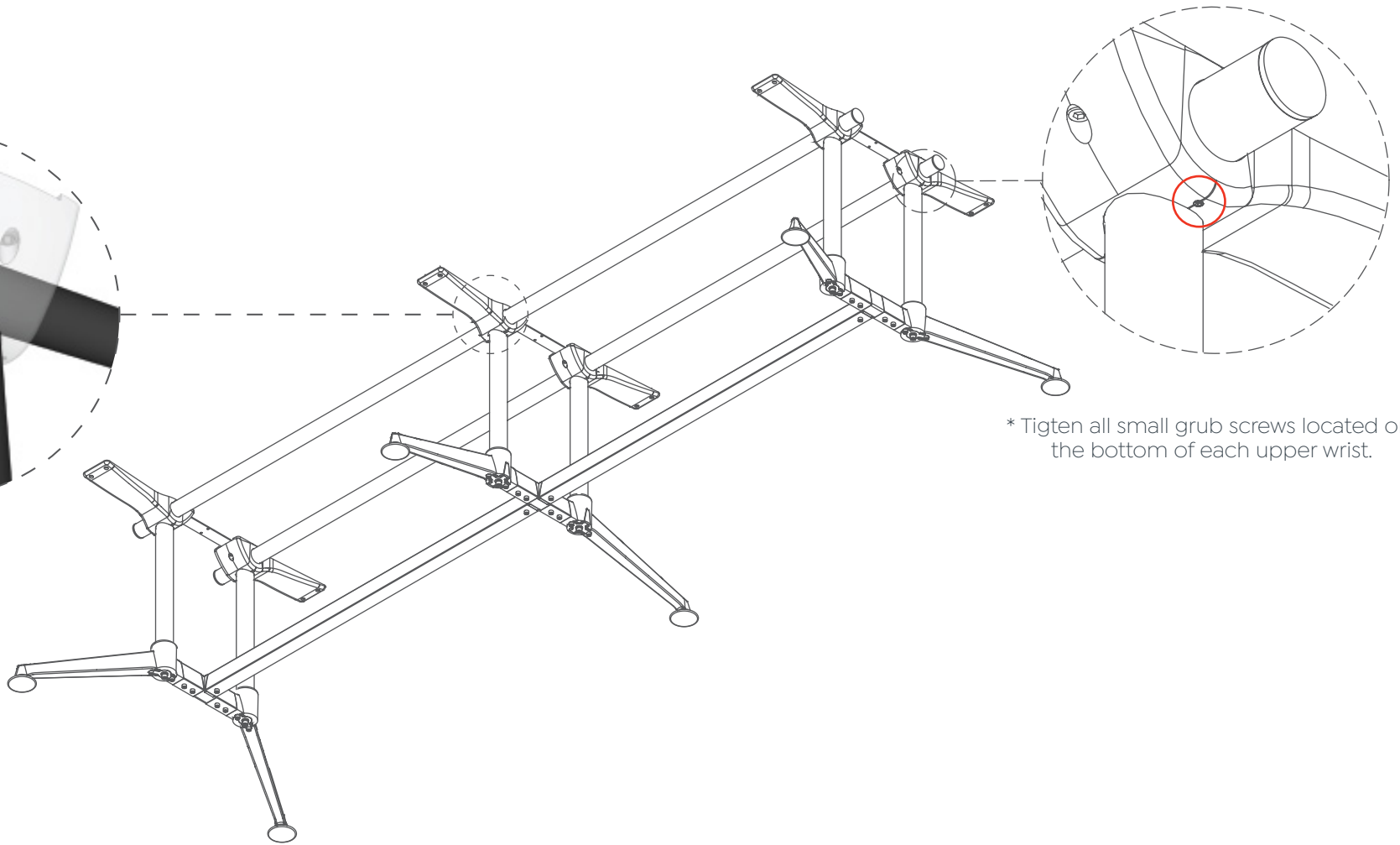
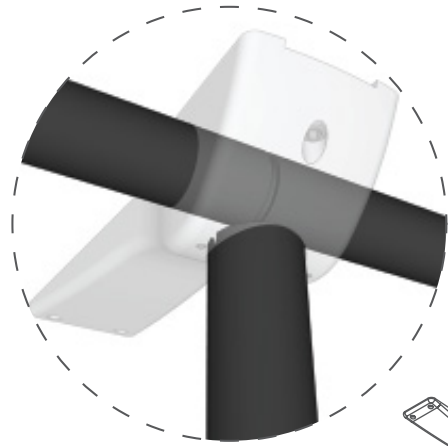
STEP 10:



Modulus Twin Pole Single Span Table

Assembly Instructions

STEP 11:

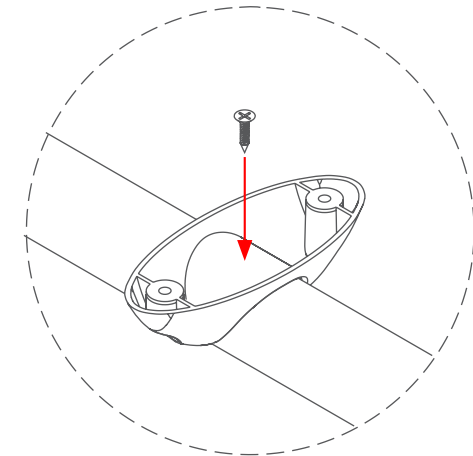
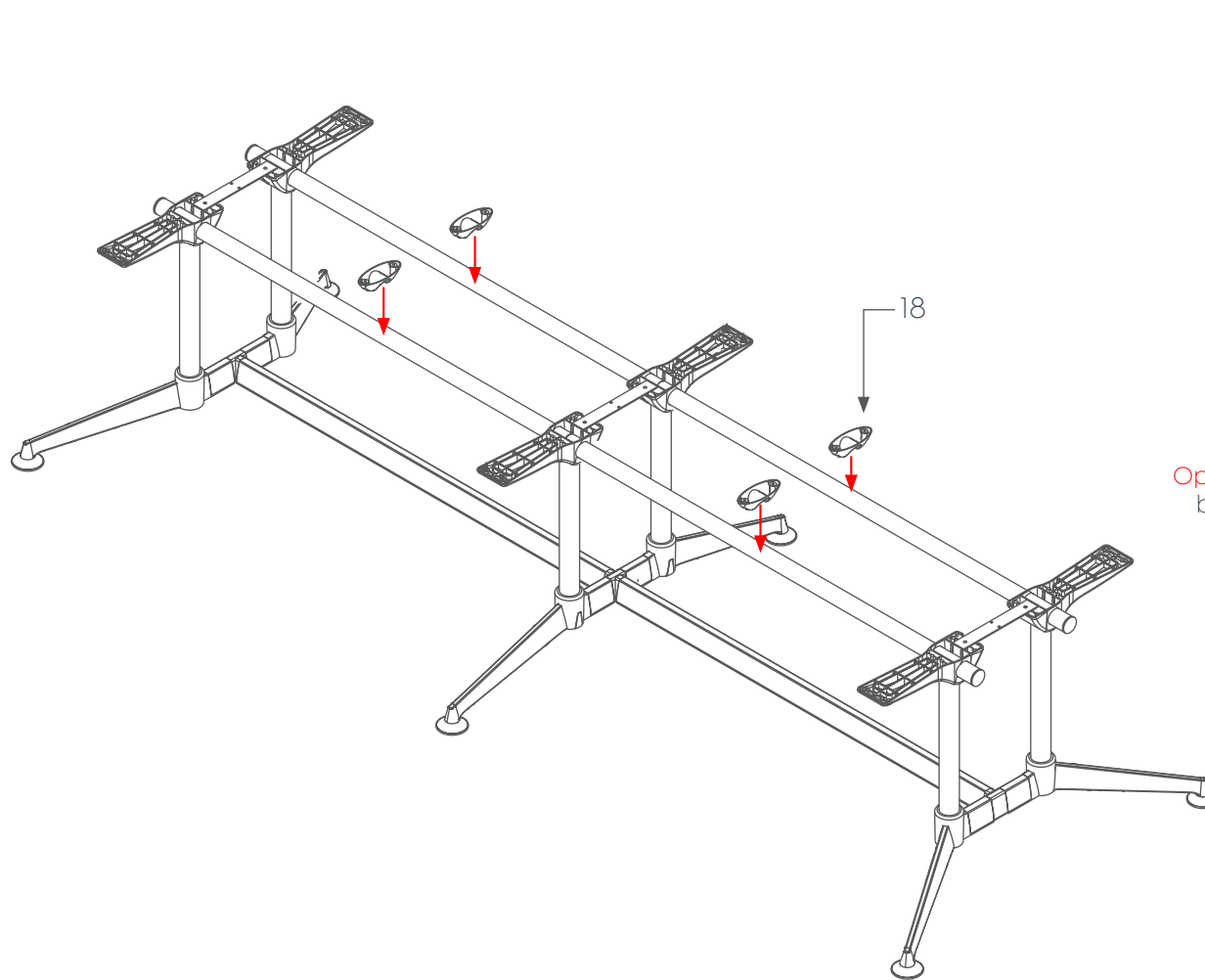


* Tighten all small grub screws located on the bottom of each upper wrist.

Modulus Twin Pole Single Span Table

Assembly Instructions

STEP 12:



Optional: For extra strength, the plastic support brackets can be screwed onto the top rails.

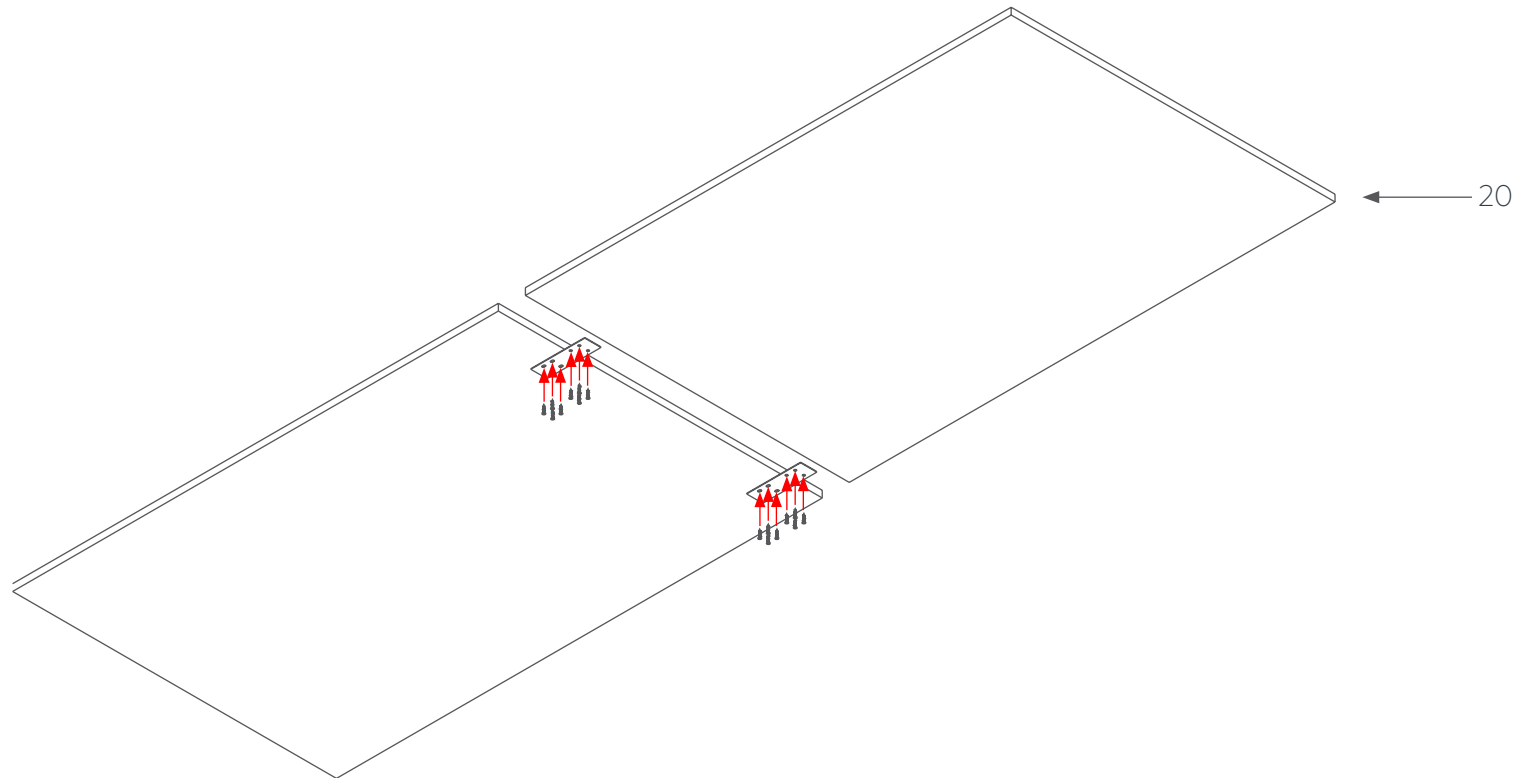
Modulus Twin Pole Single Span Table

Assembly Instructions

STEP 13:



16 - M5 x 20mm
Self Tapping



For multi piece worksurfaces.
This should be done with the worksurface sitting on the frame in its final position.

Modulus Twin Pole Single Span Table

Assembly Instructions

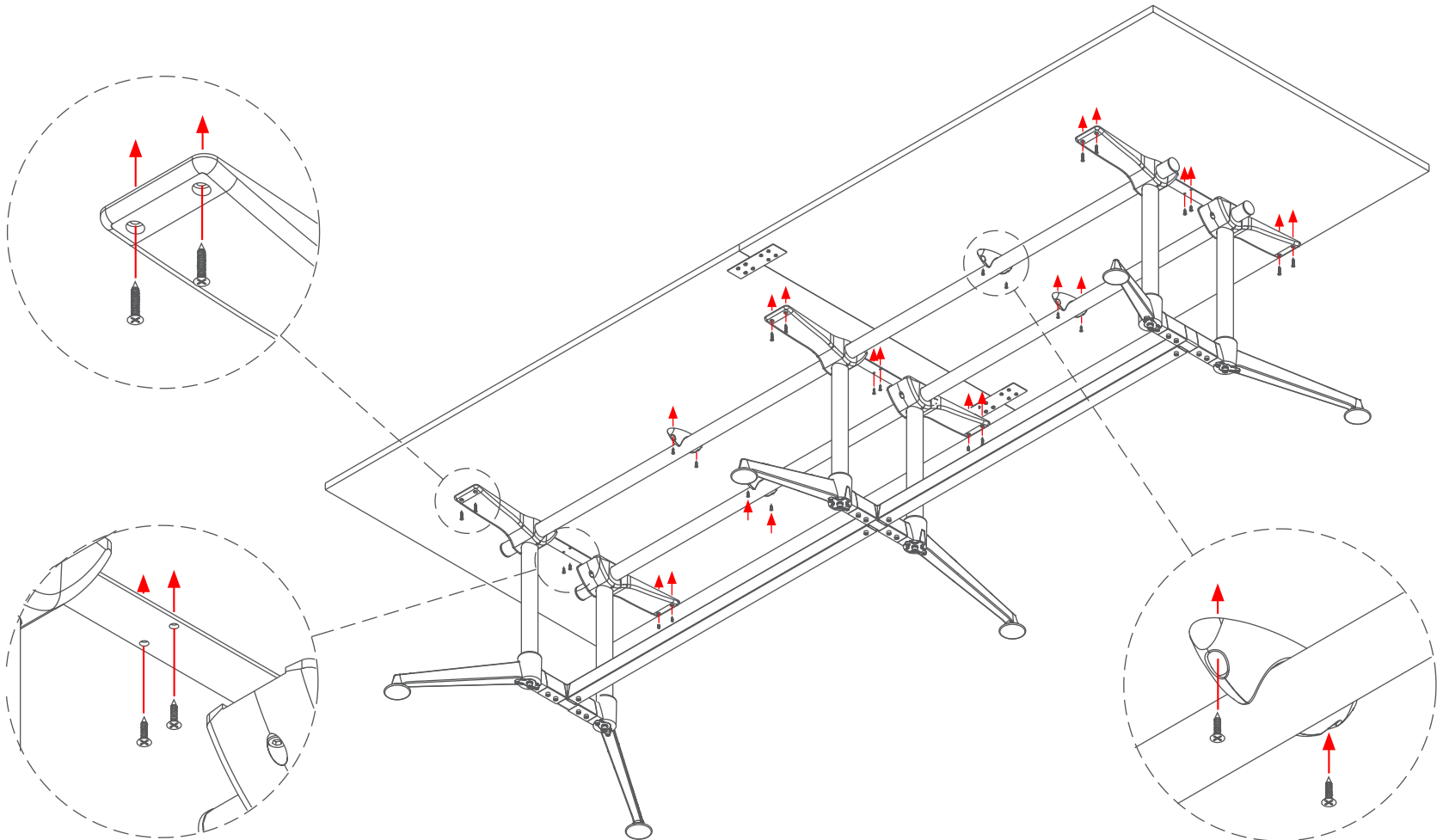
STEP 14:



12 - M5 x 25mm
Self Tapping



14 - M4 x 20mm
Self Tapping



Modulus Twin Pole Single Span Table

Assembly Instructions

Complete:

